

PRODUCT SPECIFICATION SHEET



Rev. C2

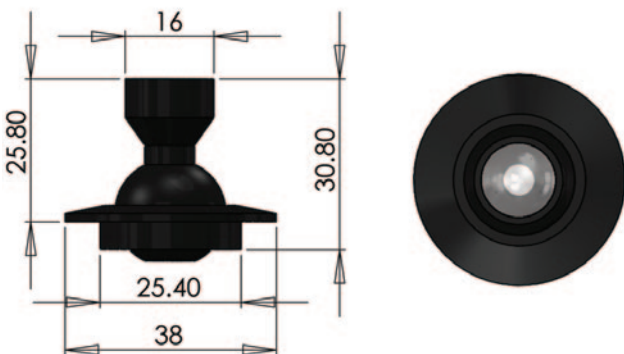
UFO 20D Downlight



An adjustable downlight fitting with trumpet, secured through ceiling with spring clips.

Available in a range of finishes, this fitting can be rotated and tilted to point directly at any objects to be illuminated. The fitting also allows for the light beam to be focused. The fitting is also suitable for mounting in the base of a display case and illuminating upwards.

Our downlight fittings are suitable for use in a variety of different applications and are the ideal solution for the illumination of static objects within a display case or cabinet.



Note that all dimensions are displayed in mm

TECHNICAL INFORMATION

Lens	13mm (0.5") lens
Focus range	15° - 30°
Material	Aluminum, Stainless Steel*
Finishes available	Aluminum, black, white, chrome*
Flange size	ø38 (ø1.5")
Tilt	60°
Rotation	360°
Weight	24.4g (0.05lb)
Mounting hole size	30mm (1.2")
Mounting	Recessed, held by springs
Ferrule size	M7
Min. fiber size	2mm
Max. fiber size	4.5mm

*Stainless steel material & chrome finish are special order only with additional costs and extended lead times.

ORDERING CODES

MODEL	MATERIAL		FINISH		FERRULE SIZE	
UFO 20D	Aluminum	ALU	Aluminum	ALU	M7	M7
	Stainless Steel	SS	Black	BL		
			White	WH		
			Chrome	CH		
UFO 20D						



Universal Fibre Optics Ltd
Home Place \ Coldstream
TD12 4DT \ UK
+44 (0)1890 883416 \ www.ufo.lighting

Universal Fiber Optic Lighting USA, LLC
1749 Northgate Blvd
Sarasota \ FL34234 \ USA
941-343-8115 \ www.fiberopticlighting.com

UFO Licht GmbH
Andreasstraße 20
93059 Regensburg \ Deutschland
+49 (0)9491 955880 \ www.ufo-licht.de