



REVISION: B2

Product Overview

Surface mount LED downlight fitting with free rotation and tilt.

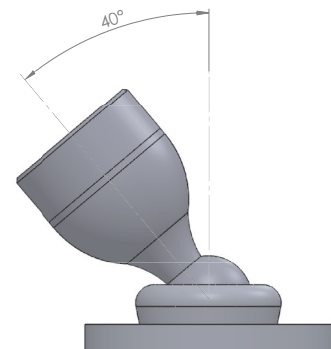
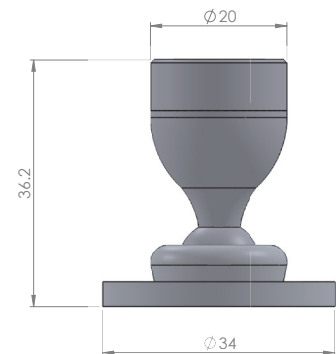
The UFO LE1 fitting features a sleek design and 360° rotation with 40° articulation in the pivot.

Available in a choice of color temperatures with high color rendition and a selection of optics, the fitting can be used to provide contemporary, functional lighting in any environment.



Technical Information

Color Temperatures & Typical CRI Values	3000K – 98CRI 4000K – 95CRI
Power Consumption	Available in 350mA (1.12W) and 500mA (1.6W) versions
Voltage	3.2V nominal
Driver Options	No dimming Local dimming 0-10 dimming Remote dimming
Lumens per Watt	3000K - 51lm/W 4000K - 54lm/W
Lens Options	12° / 22° / 30° / 53°
LED Life	50,000 hours
Material	Aluminium
Finish	Black, silver, white or custom



Product Code Selector

MODEL TYPE	OPTICS		COLOR TEMP		FINISHES	
UFO LE1	12°	12	3000°K	30	Black	BL
	22°	22	4000°K	40	Silver	SV
	30°	30			White	WH
	53°	53			Custom	CU
UFO LE1	<input type="text"/>	<input type="text"/>	<input type="text"/>	<input type="text"/>	<input type="text"/>	<input type="text"/>

e.g. UFO-LE1-12-30-BL

Please state RAL code for custom color.

Fittings per Driver

Using standard UFO Unidrive CC9 driver combined with the SPCC1 splitter unit, the maximum number of fittings that can be powered by one driver is 12.

For other configurations please contact UFO for advice.

