



REVISION: B2

Product Overview

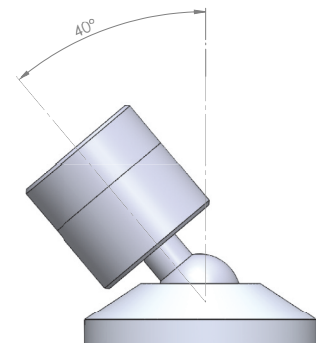
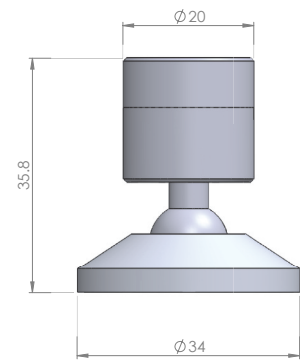
Surface mount LED downlight fitting with free rotation and tilt.

The UFO LE2 fitting features a sleek design and 360° rotation with 40° articulation in the pivot.

Available in a choice of colour temperatures with high colour rendition and a selection of optics, the fitting can be used to provide contemporary, functional lighting in any environment.

Technical Information

Color Temperatures & Typical CRI Values	3000K – 96CRI 4000K – 95CRI
Power Consumption	Available in 350mA (1.12W) and 500mA (1.6W) versions
Voltage	3.2V nominal
Driver Options	No dimming 0-10 dimming Local dimming Remote dimming
Lumens per Watt	3000K - 51lm/W 4000K - 54lm/W
Lens Options	12° / 22° / 30° / 53°
LED Life	50,000 hours
Material	Aluminium
Finish	Black, silver, white or custom



Product Code Selector

MODEL TYPE	OPTICS	COLOR TEMP	FINISHES
UFO LE2	12° 12	3000°K 30	Black BL
	22° 22	4000°K 40	Silver SV
	30° 30		White WH
	53° 53		Custom CU
UFO LE2			

e.g. UFO-LE2-12-30-BL

Please state RAL code for custom color.

Fittings per Driver

Using standard UFO Unidrive CC9 driver combined with the SPCC1 splitter unit, the maximum number of fittings that can be powered by one driver is 12.

For other configurations please contact UFO for advice.

