

PRODUCT SPECIFICATION SHEET

LM2 LED Spotlight



Rev. C5



A surface mount spotlight. Supplied with mounting bracket. Available in a range of finishes, this fitting can be rotated and tilted to point in almost any direction. This fitting is IP66 rated so is perfect for use both indoors and out and is suitable for use where access above or below the mounting surface is not available.

The power cable can be threaded through the base of the fitting if required to create a neat finish.

Our spotlight fittings are suitable for use in a variety of different applications and are the ideal solution for lighting outdoor areas such as patios and driveways.

GENERAL INFORMATION

Light Source	White Light LED
LED Module Options	Xicato XIM or Xicato XTM
Color Temp. Options	2700K or 3000K
Operating Environment	IP66 rated for indoor or outdoor use
Material	Aluminum
Available Finishes	Black as standard. Custom RAL finish available to special order
Dimensions	56mm Diameter x 122mm Length
Securing Method	Surface mount, secured with screws

ARTICULATION

Rotation	360°
Tilt	120° lockable

XIM MODULE

Power Requirements	48V Constant Voltage
Module Options	9mm LED - 80CRI - 10.1W - 700lm 9mm LED - 95CRI - 12.5W - 700lm

XTM MODULE

Power Requirements	Constant Current
Module Options*	9mm LED - 80CRI - max. 10.9W - 965lm 9mm LED - 95CRI - max. 10.6W - 700lm 19mm LED - 80CRI - max. 10.6W - 1490lm 19mm LED - 95CRI - max. 9.6W - 1240lm

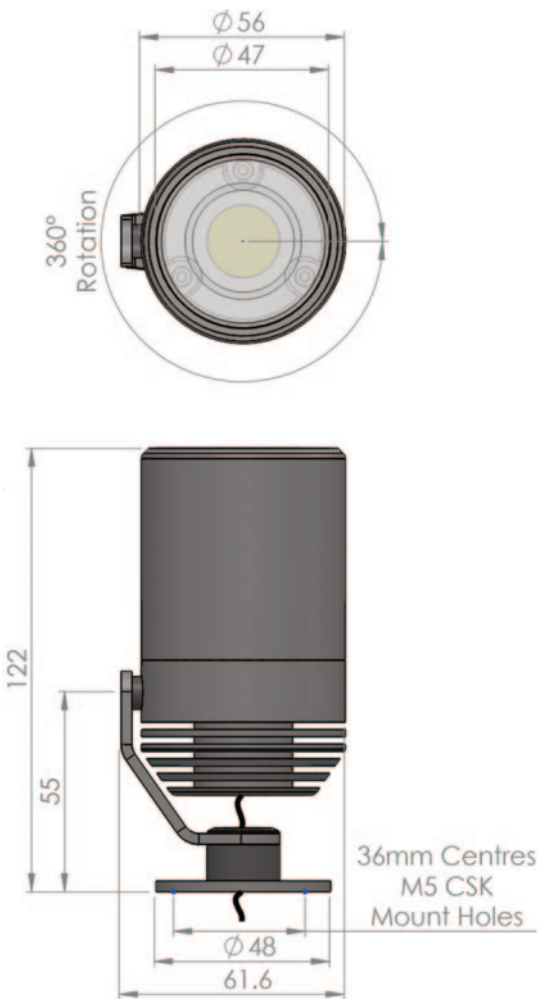
*Lower power options are available if required - contact us for details

OPTICS DATA

Optics Options 9mm LED	12° / 24° / 38°
Optics Options 19mm LED	31° / 33° / 46°

DRIVER DIMMING OPTIONS

Xicato XIM Modules	Bluetooth (Xicato)
Xicato XTM Modules	DALI, 0-10V, Mains or Bluetooth (Casambi)



Note that all dimensions are shown in mm

MOUNTING ACCESSORIES

Side Cable Base Spacer
Product Code:
UFO-LM-SCBS

Allows the cable to exit from the side of the mounting foot rather than straight through the back face.



OPTICAL ACCESSORIES

Option 1	Honeycomb louver
Option 2	Diffuser lens

Note:
On models fitted with XIM modules only 1 optical accessory can be fitted at a time. Models fitted with XTM modules can accept 2 optical accessories at once

PRODUCT CODES

MODEL	OPTICS	COLOR TEMP	FINISH	MODULE	ACCESSORIES					
UFO LM2	9mm / 12°	12	2700K	27	Black	BL	XIM / 9mm LED - 80CRI	XI0980	None	XX
	9mm / 24°	24	3000K	30	Custom	CU	XIM / 9mm LED - 95CRI	XI0995	Honeycomb	HC
	9mm / 38°	38					XTM / 9mm LED - 80CRI	XT0980	Diffuser Lens	DF
	19mm / 31°	31					XTM / 9mm LED - 95CRI	XT0995	Both Options (XTM MODULES ONLY)	HC-DF
	19mm / 33°	33					XTM / 19mm LED - 80CRI	XT1980		
	19mm / 46°	46					XTM / 19mm LED - 95CRI	XT1995		

UFO LM2	-	-	-	-	-	-	-	-	-	-
---------	---	---	---	---	---	---	---	---	---	---

e.g, UFO LM2-24-27-BL-XT0995-HC



Universal Fibre Optics Ltd
Home Place \ Coldstream
TD12 4DT \ UK
+44 (0)1890 883416 \ www.ufo.lighting

Universal Fiber Optic Lighting USA LLC
1749 Northgate Blvd
Sarasota \ FL34234 \ USA
941-343-8115 \ www.fiberopticlighting.com

UFO Licht GmbH
Andreasstraße 20
93059 Regensburg \ Deutschland
+49 (0)9491 955880 \ www.ufo-licht.de