

PRODUCT SPECIFICATION SHEET

LM5 LED Spotlight



Rev. C5



A small surface mount downlight. Supplied with mounting bracket. Available in a range of finishes, this fitting can be rotated and tilted to point directly at any objects to be illuminated. This fitting is perfect for use indoors and is suitable for use where access above or below the mounting surface is not available.

Of course, like for all models in this range there are also high CRI LED array options available making it very suitable for use in display lighting applications and are they highly effective when used in museums, galleries and retail display environments.

GENERAL INFORMATION

Light Source	White Light LED
LED Module Options	Xicato XIM or Xicato XTM
Color Temp. Options	2700K or 3000K
Operating Environment	IP20 rated for indoor use only
Material	Aluminum
Available Finishes	Black as standard. Custom RAL finish available to special order
Dimensions	57mm Diameter x 101mm Length
Securing Method	Surface mount, secured with screws

ARTICULATION

Rotation	360°
Tilt	120° lockable

XIM MODULE

Power Requirements	48V Constant Voltage
Module Options	9mm LED - 80CRI - 10.1W - 700lm 9mm LED - 95CRI - 12.5W - 700lm

XTM MODULE

Power Requirements	Constant Current
Module Options*	9mm LED - 80CRI - max. 10.9W - 965lm 9mm LED - 95CRI - max. 10.6W - 700lm 19mm LED - 80CRI - max. 10.6W - 1490lm 19mm LED - 95CRI - max. 9.6W - 1240lm

*Lower power options are available if required - contact us for details

OPTICS DATA

Optics Options 9mm LED	12° / 24° / 38°
Optics Options 19mm LED	31° / 33° / 46°

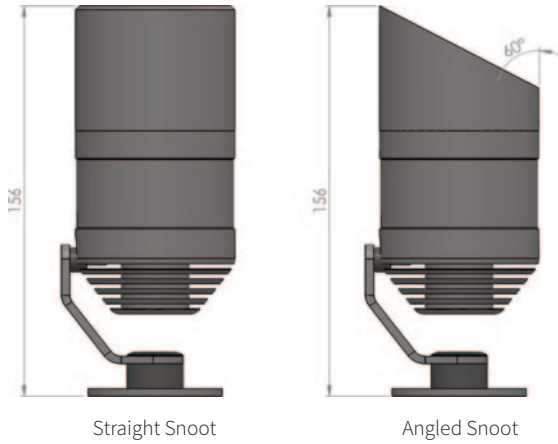
DRIVER DIMMING OPTIONS

Xicato XIM Modules	Bluetooth (Xicato)
Xicato XTM Modules	DALI, 0-10V, Mains or Bluetooth (Casambi)

OPTICAL ACCESSORIES

Option 1	Honeycomb louver
Option 2	Diffuser lens
Option 3A	Straight 50mm snoot
Option 3B	Angled 50mm snoot

Note:
On models fitted with XIM modules only 1 optical accessory can be fitted at a time. Models fitted with XTM modules can accept 2 optical accessories at once.

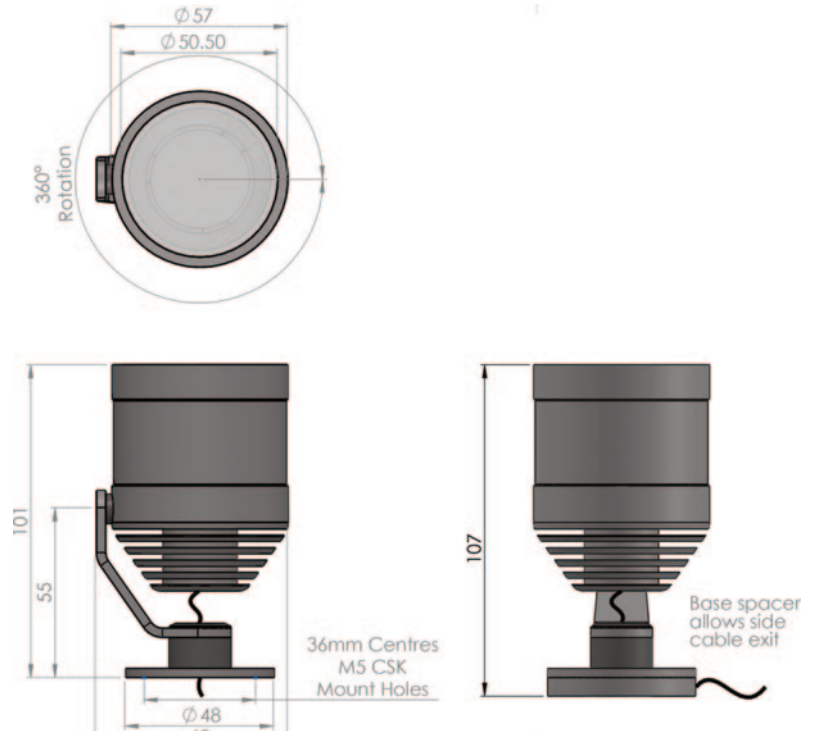


Note that all dimensions are shown in mm

MOUNTING ACCESSORIES

Side Cable Base Spacer
Product Code:
UFO-LM-SCBS

Allows the cable to exit from the side of the mounting foot rather than straight through the back face.



PRODUCT CODES

MODEL	OPTICS	COLOR TEMP	FINISH	MODULE	ACCESSORIES					
UFO LM5	9mm / 12°	12	2700K	27	Black	BL	XIM / 9mm LED - 80CRI	XI0980	None	XX
	9mm / 24°	24	3000K	30	Custom	CU	XIM / 9mm LED - 95CRI	XI0995	Honeycomb	HC
	9mm / 38°	38					XTM / 9mm LED - 80CRI	XT0980	Diffuser Lens	DF
	19mm / 31°	31					XTM / 9mm LED - 95CRI	XT0995	Straight Snoot	SS
	19mm / 33°	33					XTM / 19mm LED - 80CRI	XT1980	Angled Snoot	AS
	19mm / 46°	46					XTM / 19mm LED - 95CRI	XT1995		
UFO LM5										

e.g. UFO LM5-24-27-BL-XT0995-HC

If you require 2 accessories, detail both codes in the accessories field.
e.g. UFO LM5-24-27-BL-XT0995-HC-SS



Universal Fibre Optics Ltd
Home Place \ Coldstream
TD12 4DT \ UK
+44 (0)1890 883416 \ www.ufo.lighting

Universal Fiber Optics USA LLC
1749 Northgate Blvd
Sarasota \ FL34234 \ USA
941-343-8115 \ www.fiberopticlighting.com

UFO Licht GmbH
Andreasstraße 20
93059 Regensburg \ Deutschland
+49 (0)9491 955880 \ www.ufo-licht.de