



REVISION: B2

Product Overview

Surface mount LED downlight fitting with free rotation and tilt.

The UFO LPV1 fitting features a sleek design and 360° rotation with 90° + 45° articulation in the pivot.

Available in a choice of color temperatures with high color rendition and a selection of optics, the fitting can be used to provide contemporary, functional lighting in any environment.



The fitting has an inbuilt plug/socket and can be easily removed from its base.

Technical Information

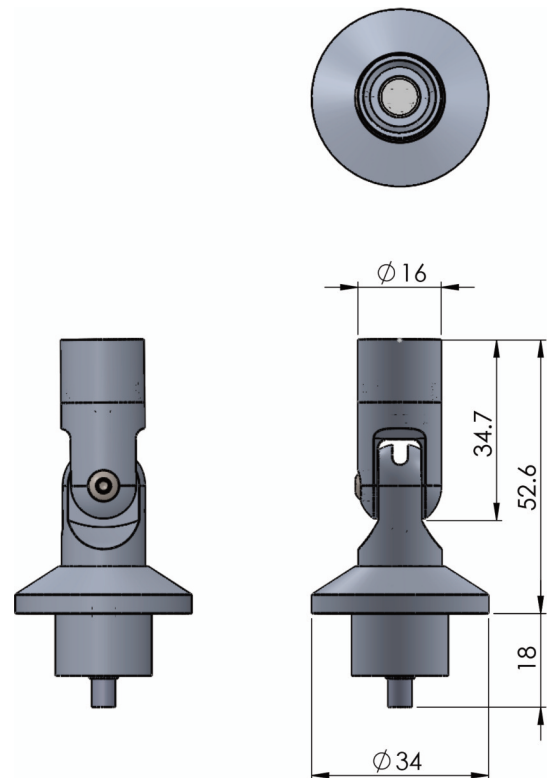
Color Temperatures & Typical CRI Values	3000K – 96CRI 4000K – 95CRI
Power Consumption	Available in 350mA (1.12W) and 500mA (1.6W) versions
Voltage	3.2V nominal
Driver Options	No dimming 0-10 dimming Local dimming Remote dimming
Lumens per Watt	3000K – 51lm/W 4000K – 54lm/W
Lens Options	16° / 23° / 36° / 61°
LED Life	50,000 hours
Material	Aluminium
Finish	Black, silver white or custom

Ordering Code Selector

MODEL TYPE	COLOR TEMP	OPTICS	FINISH
UFO LPV1	3000°K 30	16° 16	Black BL
	4000°K 40	23° 23	Silver SV
		36° 36	White WH
		61° 61	Custom CU
UFO LPV1			

e.g. UFO-LPV1-30-16-BL

Please state RAL code for custom colour.



Dimensions in mm

Fittings per Driver

Using standard UFO Unidrive CC9 driver combined with the SPCC1 splitter unit, the maximum number of fittings that can be powered by one driver is 12. For other configurations please contact UFO for advice.

