

# PRODUCT SPECIFICATION SHEET

## Nova Aqua IP67 RGBW LED Illuminator



Rev. C8



Extremely high powered light output and full DMX control make the Nova an LED illuminator capable of competing with all traditional light source types.

Offering either full manual control or industry standard DMX to control the unit's color change effects, plus the option of adding a twinkle wheel and an RF remote control, this is the ultimate illuminator for powering decorative fiber optic effect lighting.

A typical LED life of 50,000 hours and cool quiet running ensure that maintenance costs are reduced to almost nil.

Fitted with a standard 30mm (1.18") fiber port connector, this illuminator is suitable for both new installations and retro-fitting to existing fiber optic installations.

Please note that although this illuminator is fully IP67 rated and can be used in wet/outdoor areas, it is not suitable for submersion in water and it should not be buried underground.

Note that damage caused by salt water will void any and all warranties on the product and its exterior finish. UFO strongly recommend that the illuminator is not installed in any location where such damage may occur (for example, near the sea or in any other high saline environment).

### CLEARANCE / VENTILATION

It is imperative that a gap of 200mm (8") is left around the unit. This is to allow air to circulate and prevent overheating. The location must have free ventilation and must not have an ambient temperature higher than that specified for the unit.

### GENERAL INFORMATION

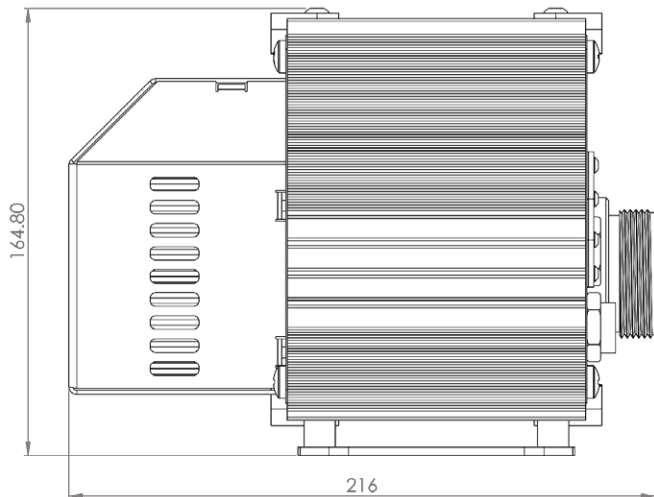
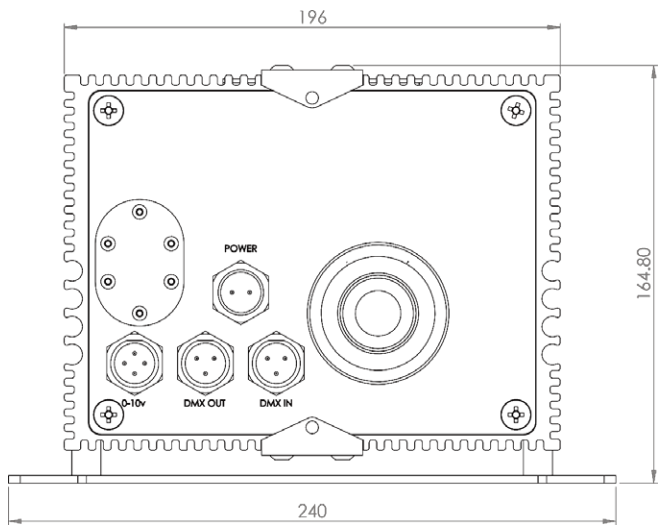
Port connector size	30mm (1.18") diameter
Fiber type	Glass / PMMA
Material/Finish	Hard anodised aluminium
Dimensions (L x W x H)	222mm (8.7") x 240mm (9.4") x 163mm (6.4")
Weight	4.44kg (9.79lb)
Operating Environment	External use - IP67
Min Ambient Temp.	-10°C (14°F)
Max Ambient Temp.	+45°C (113°F)

### LIGHTING AND CONTROL INFORMATION

Control Functionality	DMX, manual push-button and remote control options
DMX Addressing	User addressable to 512
DMX Channels	6 channels
Color Change Functionality	Controlled by DMX, manual push-button or remote control
Dimming Functionality	Controlled by DMX or remote control
Effects Wheels Options & Functionality	Twinkle wheel controlled by DMX or manual push-button operation.

### LED ARRAY DATA

LED Array Type	Custom RGBW array
LED Array Power	46W
LED Array Model	Luxeon 36 LED Array
LED Array Life (L70, B10)	50,000 hours typical @ 25°C
White Light Color Temperature	6500K



## ELECTRICAL CHARACTERISTICS

Supply Voltage	90-305Vac
Mains Running Current	0.2A @ 240Vac
Mains Voltage VA rating	50VA
External PSU Type	Meanwell, 24VDC, IP67, Type HL Driver
Motor Type	Rotalink 25C13/YSOLPSL3E 12V 60:1
Fan Type	ebm-papst, 80mm, IP68, 32dBA

## RF REMOTE CHARACTERISTICS

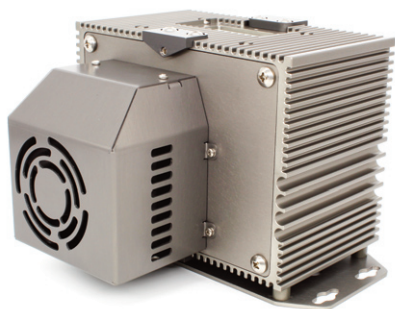
RF Remote Frequency	2.4GHz
RF Remote Range	30m, depending on environment
RF Remote Power	2 x AAA batteries (supplied)

## SEA WATER / SALINE ENVIRONMENTS

Please be aware that UFO will not specify, supply or install this light source for use in any area where corrosion or damage from saline may occur. This includes near the sea, on ships or in any other areas where the light source would be in an unprotected area.

Damage caused by salt water due to improper, unprotected siting of the light source will void any and all UFO warranties on the product. UFO strongly recommend that the light source is not installed in any location where such damage may occur.

## ILLUMINATOR PRODUCT CODES



MODEL	COLOUR TEMPERATURE		TWINKLE EFFECT		REMOTE CONTROL		SENSOR	
UFO NOVA IP	6500K	65 DMX	Twinkle Wheel	T	Remote Control	R	Sensor	S
			Not Required	X	Not Required	X		
UFO NOVA IP	-	-	-	-	-	-	-	-

e.g. UFO NOVA IP-65 DMX-T-R-S

For models with a twinkle wheel, the wheel is supplied with a cut out segment. When in motion the wheel will give an uninterrupted twinkle by rotating backwards and forwards either side of the segment. When stop is selected the wheel will come to rest at the segment giving unobstructed light output.

