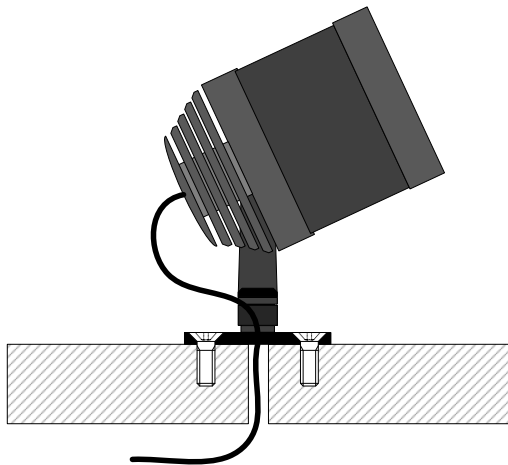


Mounting Options

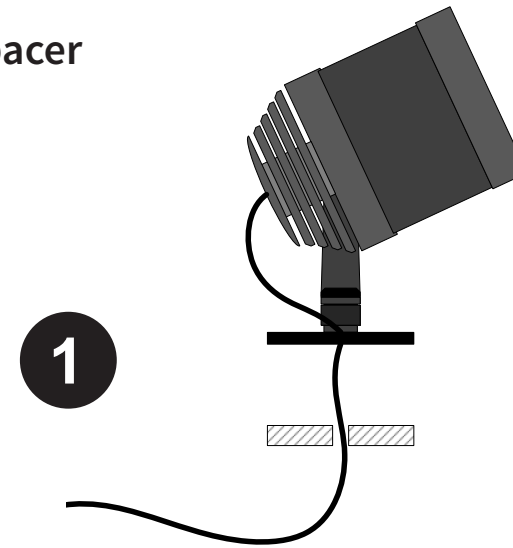
The standard LM2 mounting foot allows for the power cable to exit through a pre-drilled hole in the mounting surface. Each LM2 is also supplied with a spacer which, when installed, allows for a side cable exit which is desirable in some cases.

Installation Without Spacer



Using M5 threaded countersunk screws, fix the fitting to the mounting surface, with the cable exiting through a pre-drilled hole in the surface.

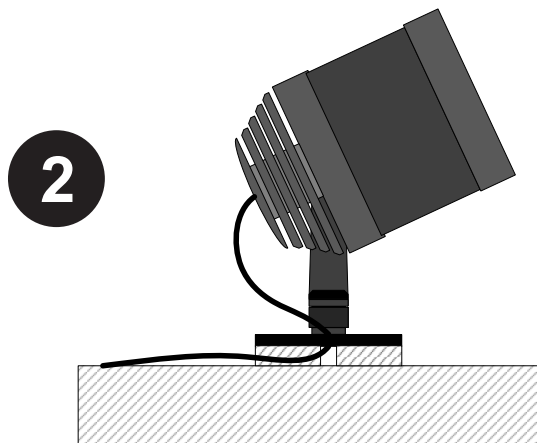
Installation With Spacer



1

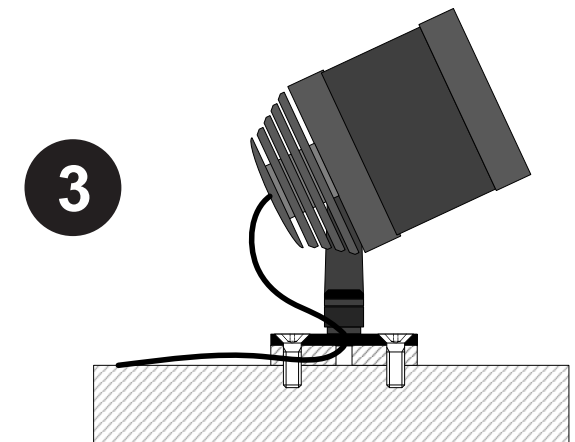


Feed power cable through hole in centre of spacer



2

Feed power cable through channel in base of spacer and align the holes in the mounting foot with the holes in the spacer.



3

Using M5 threaded countersunk screws, fix the fitting to the mounting surface, with the cable exiting sideways through the spacers channel.