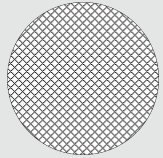


Accessory Types



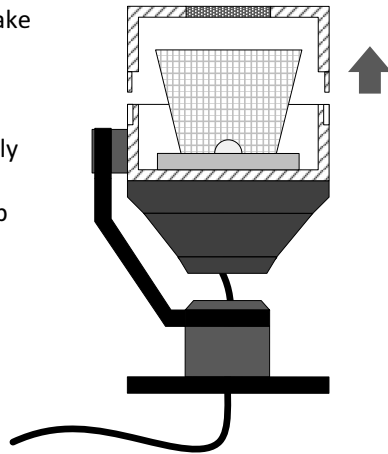
Honeycomb

Module Accessory Installation

The LM4 can take one accessory.

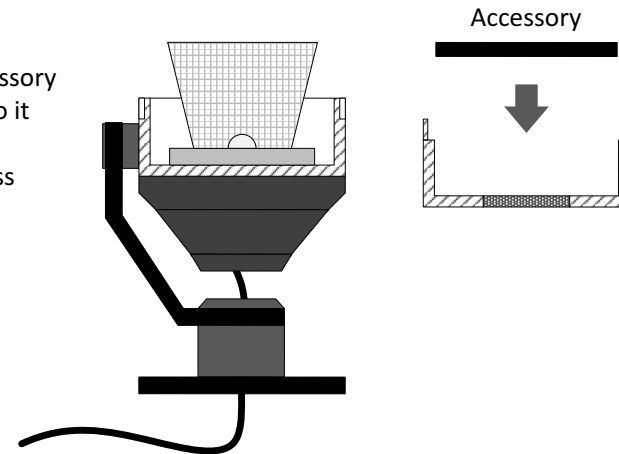
To install an accessory, firstly unscrew and remove the top cap from the fitting.

1



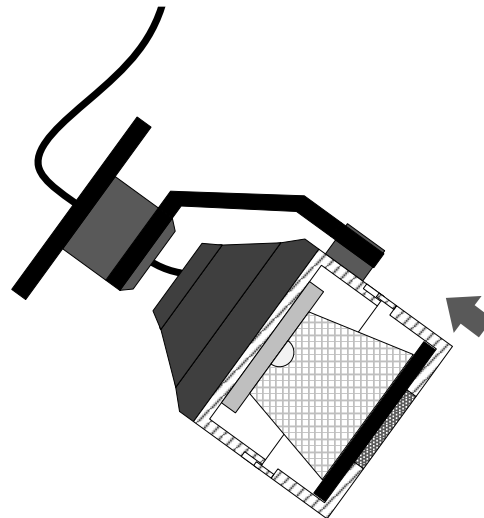
2

Drop the accessory into the cap so it sits flush, just above the glass lens.



Keeping the accessory in the same position, line up the cap with the fitting body and screw on as far as it will go.

3



4

The fitting is now ready for use.

Note that when an accessory is installed there is a small gap between the fitting body and the top cap.

