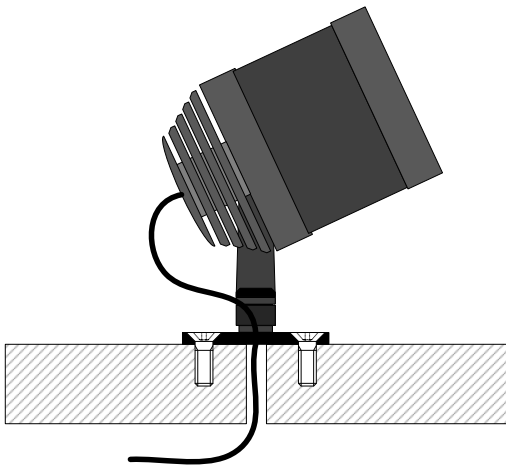


Mounting Options

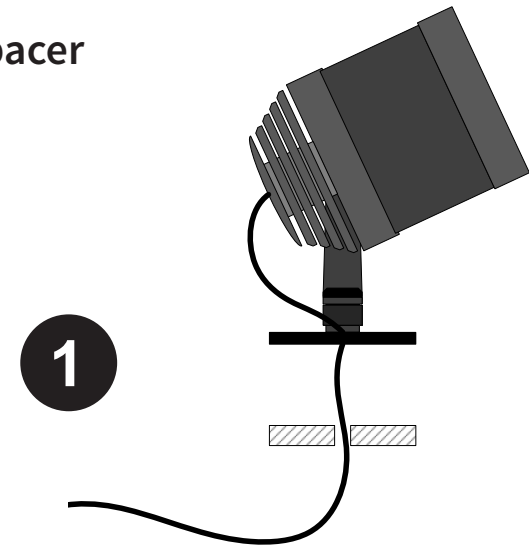
The standard LM3 mounting foot allows for the power cable to exit through a pre-drilled hole in the mounting surface. Each LM3 is also supplied with a spacer which, when installed, allows for a side cable exit which is desirable in some cases.

Installation Without Spacer

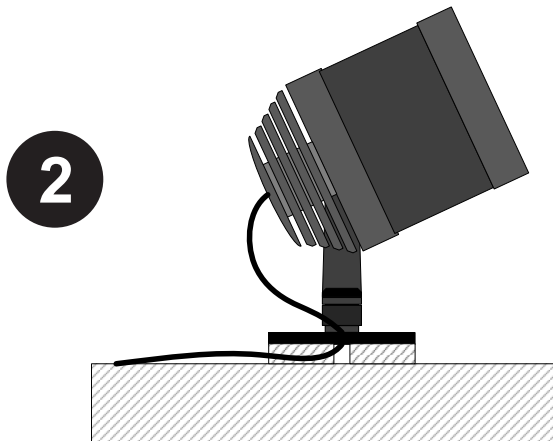


Using M5 threaded countersunk screws, fix the fitting to the mounting surface, with the cable exiting through a pre-drilled hole in the surface.

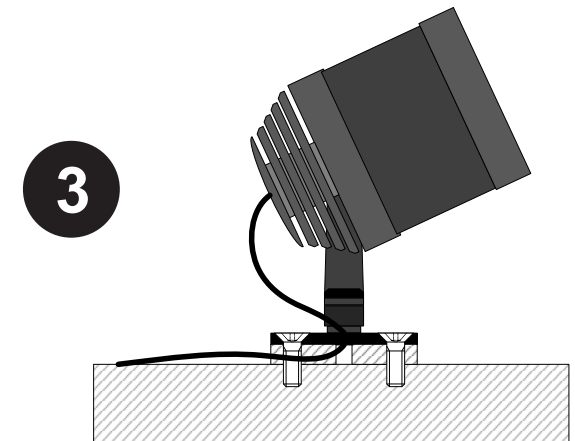
Installation With Spacer



Feed power cable through hole in centre of spacer



Feed power cable through channel in base of spacer and align the holes in the mounting foot with the holes in the spacer.



Using M5 threaded countersunk screws, fix the fitting to the mounting surface, with the cable exiting sideways through the spacers channel.